

322 C 5201

THIRD ANGLE PROJECTION

DIMENSIONS IN INCHES UNLESS OTHERWISE STATED

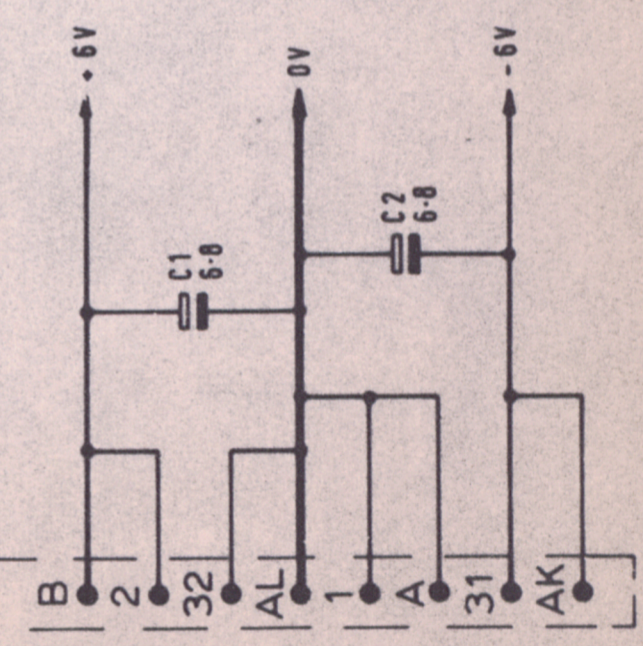
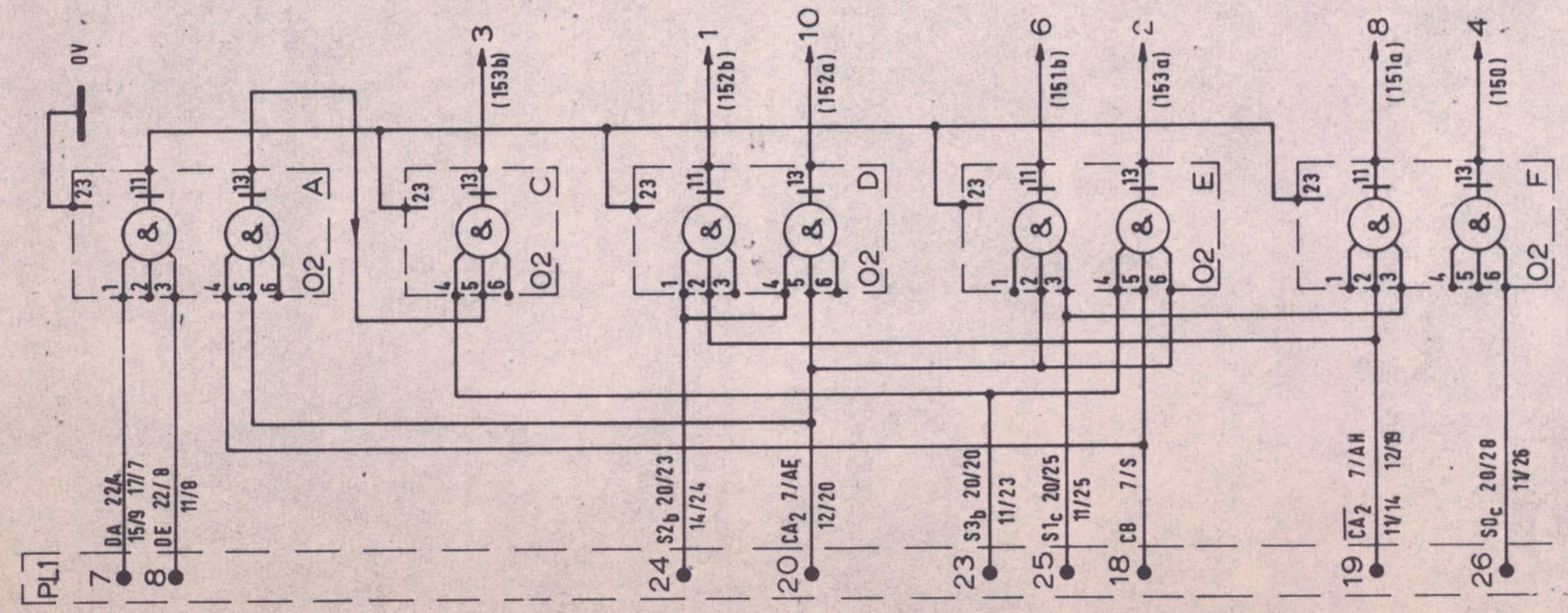
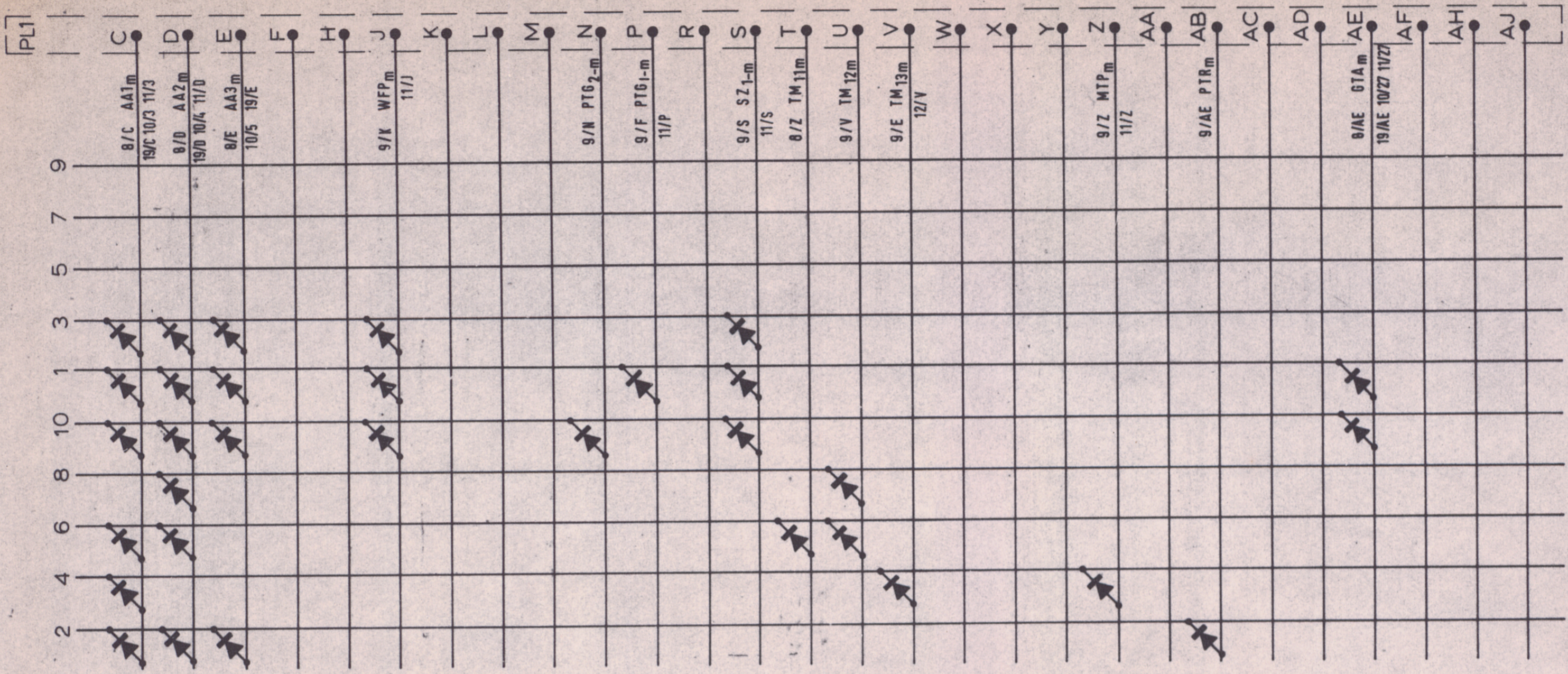
DO NOT SCALE DRAWING

USED ON
C 4071

36

TITLE:
BOARD A-GJ. POS.10
CONTROL MATRIX
FUNCTION 15

TO BE READ IN CONJUNCTION WITH 322A7191



LATEST MI INCORPORATED... MI 2848 2998

ISSUE No.	2
ALTERATION No.	1740
DATE	9.7.66.
INITIALS	S.N.
PARTS LIST No.	
DRAWN	S. NIBLETT
CHECKED	CS 639
APPROVED	
DATE	7-11-66

MATERIAL _____ FINISH _____

© Elliott Brothers (London) Limited
THIS DRAWING IS THE PROPERTY OF ELLIOTT BROTHERS (LONDON) LIMITED AND MAY NOT BE COPIED, REPRODUCED OR DISCLOSED FOR ANY PURPOSE EXCEPT AS AUTHORIZED IN WRITING BY ELLIOTT BROTHERS (LONDON) LIMITED.

TOLERANCES
LINEAR UNMACHINED SURFACES ±
MACHINED SURFACES ±
ANGULAR DIMENSIONS ±
UNLESS OTHERWISE STATED.

ELLIOTT BROTHERS (LONDON) LTD

TITLE
BOARD A-GJ. POS.10
CONTROL MATRIX
FUNCTION 15

SCALE _____
DRAWING No.
322 C 5201